

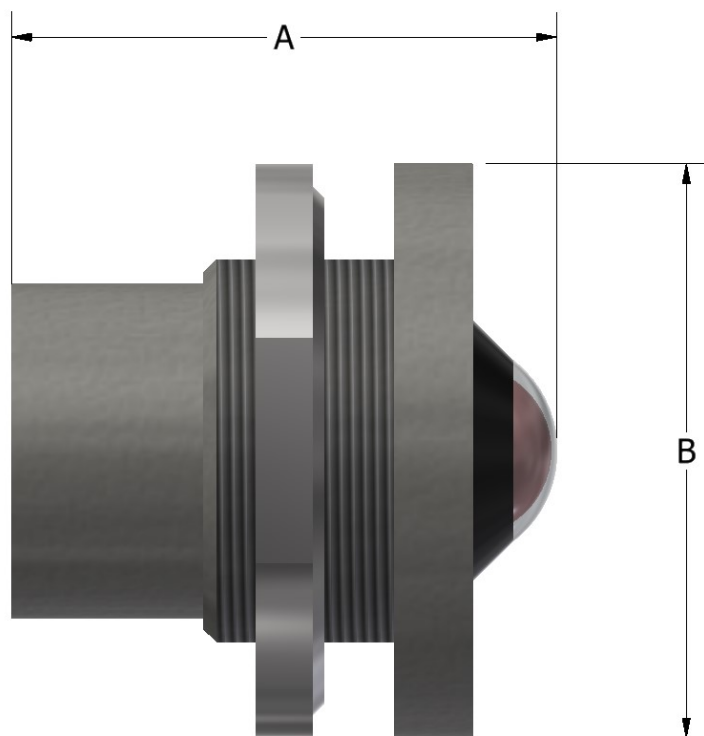


OPERATION

The Ruelco Status Indicator is designed to give positive indication of a pneumatic control signal. When pneumatic pressure is applied to the status indicator, the viewable window will indicate green. When the pneumatic signal is removed, the indicator will show red. Its simple and compact design makes maintenance and repair easy. The status indicator does not have to be removed from the control panel or system loop if repair or maintenance is necessary.

FEATURES

- Stainless steel construction N.A.C.E. model available)
- All soft seal design
- Small compact design
- Simple operation allows for easy repair



STATUS INDICATOR

DIMENSIONS

| | |
|-----------------|------------------|
| A | 1.70" (43.18 mm) |
| B | 1.50" (38.1 mm) |
| CONNECTION SIZE | 1/8" FNPT |

PHONE: 504-340-0055
FAX: 504-340-0056
EMAIL: SALES@RUELCO.COM

1209 DISTRIBUTORS ROW
NEW ORLEANS, LA 70123



Proudly Distributed By

TRIDENT AUSTRALIA
FLUID SYSTEMS & COMPONENTS

PARTS LIST

| ITEM | QUANTITY | DESCRIPTION | MATERIAL |
|------|----------|-------------|--------------|
| 1 | 1 | INDICATOR | PLASTIC |
| 2 | 1 | PANEL NUT | 316 ST. STL. |
| 3 | 1 | KNOB | 316 ST. STL. |
| 4* | 1 | BASE SEAL | FLUOROCARBON |

* INDICATES ITEMS IN THE REPAIR KIT

SPECIFICATIONS

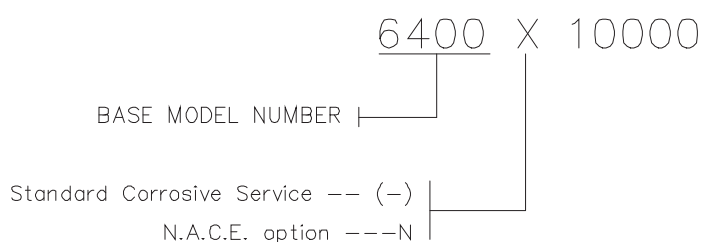
| | |
|--------------------------|------------------------------|
| MAXIMUM WORKING PRESSURE | 125 PSI (8.6 BAR) |
| ABIENT TEMPERATURE RANGE | -20 TO 250 F -29 TO 122 C |

REPAIR KIT

- 64-002-000

OTHER TEMPERATURE RANGES AND SEAL COMPOUNDS AVAILABLE UPON REQUEST

ORDERING CODE



STATUS INDICATOR

PHONE: 504-340-0055
FAX: 504-340-0056
EMAIL: SALES@RUELCO.COM

1209 DISTRIBUTORS ROW
NEW ORLEANS, LA 70123